

CTV165M Moulded Case Current Transformers (ANSI/IEEE spec)

DESCRIPTION

Compact moulded case current transformers from 1000 – 5000 with UL recognition and a 165mm x62mm window (6.5" x 2.44").

APPLICATION

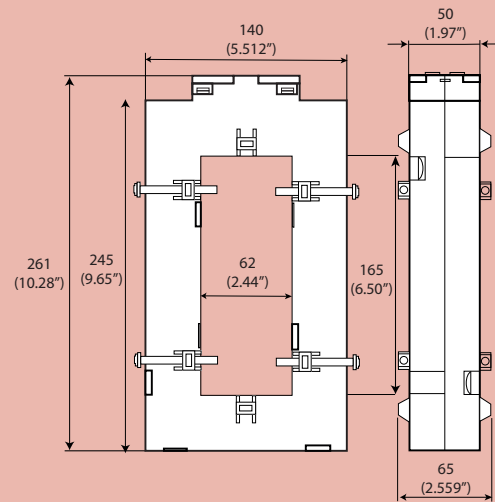
For transforming various primary currents into 1A or 5A secondary.



TECHNICAL SPECIFICATION

- 600V, 10KV BIL to IEEE C57.13
- Built in sealable terminal covers
- Built in busbar mounting
- 165mm x 62mm window (6.5" x 2.44")
- Case Material: PETGF30%, UL94V0
- Terminal Torque: 0.9Nm
- Bus clamp Torque: 0.2Nm

DIMENSIONS (mm)

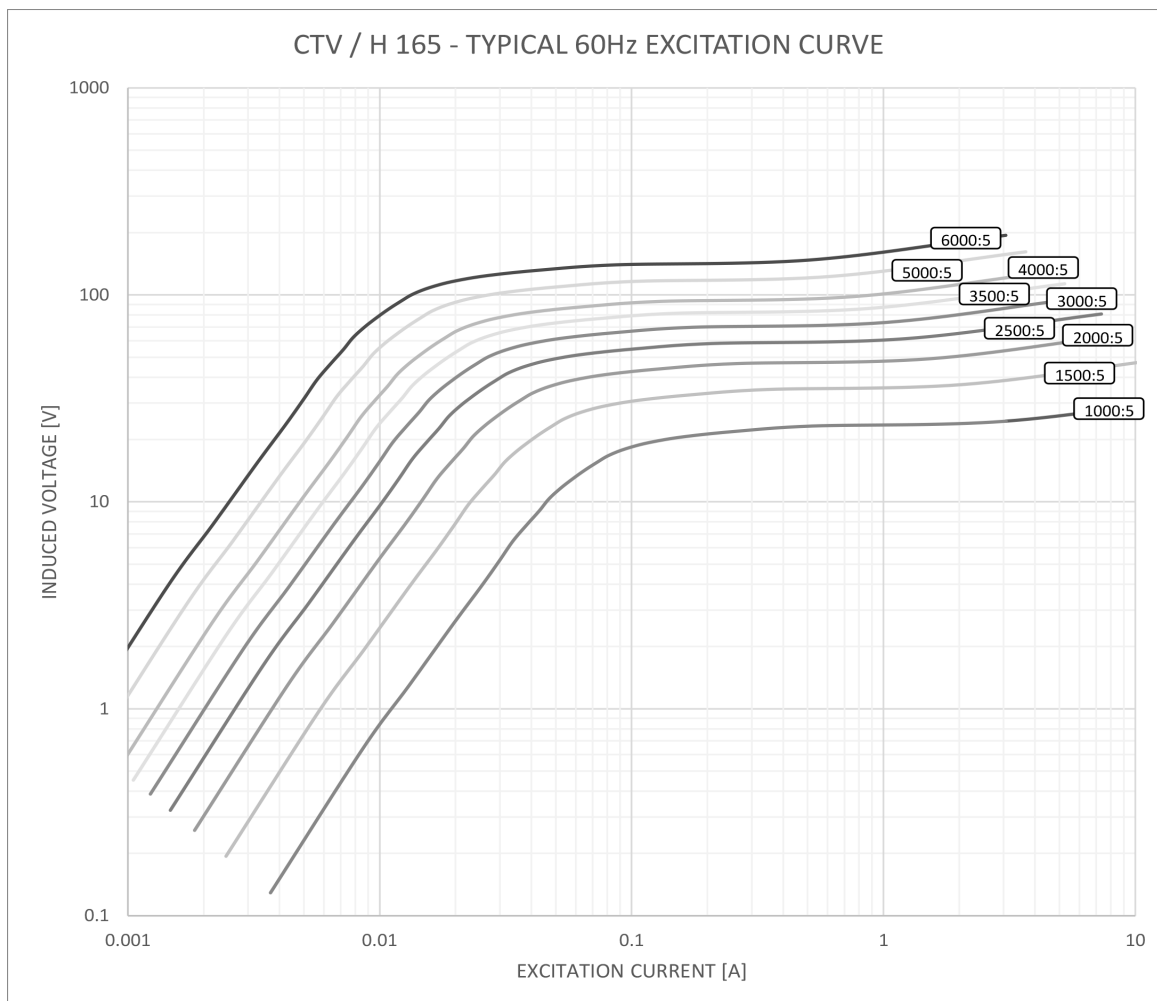


RANGE

	60Hz	Burden	B0.1	B0.2	B0.5	B0.9	B1.8	RF @30°
			2.5VA	5VA	12.5VA	22.5VA	45VA	
Part Number	Primary	Sec						
CTV165M1000/5-ANSI-UL	1000	5	0.3	0.6	0.6	1.2	2.4	1.33
CTV165M1200/5-ANSI-UL	1200	5	0.3	0.3	0.3	0.3	0.6	1.33
CTV165M1500/5-ANSI-UL	1500	5	0.3	0.3	0.3	0.3	0.6	1.33
CTV165M1600/5-ANSI-UL	1600	5	0.3	0.3	0.3	0.3	0.6	1.33
CTV165M2000/5-ANSI-UL	2000	5	0.3	0.3	0.3	0.3	0.6	1.33
CTV165M2500/5-ANSI-UL	2500	5	0.3	0.3	0.3	0.3	0.3	1.33
CTV165M3000/5-ANSI-UL	3000	5	0.3	0.3	0.3	0.3	0.3	1.33
CTV165M3200/5-ANSI-UL	3200	5	0.3	0.3	0.3	0.3	0.3	1.33
CTV165M3500/5-ANSI-UL	3500	5	0.3	0.3	0.3	0.3	0.3	1.33
CTV165M4000/5-ANSI-UL	4000	5	0.3	0.3	0.3	0.3	0.3	1.33
CTV165M5000/5-ANSI-UL	5000	5	0.3	0.3	0.3	0.3	0.3	1

1A secondary available by request.

CTV165M Moulded Case Current Transformers (ANSI/IEEE spec)



Our policy is one of continuous development and therefore specifications may change without notice.

HOWARD BUTLER LTD

CROWN WORKS, LINCOLN ROAD

WALSALL WS1 2EB ENGLAND

Tel: 01922 640003 Fax: 01922 723626

International Tel: +44 1922 640003 E-mail: sales@hobut.co.uk

<http://www.hobut.co.uk>