

CTV165M Moulded Case Current Transformers

HOBUT

DESCRIPTION

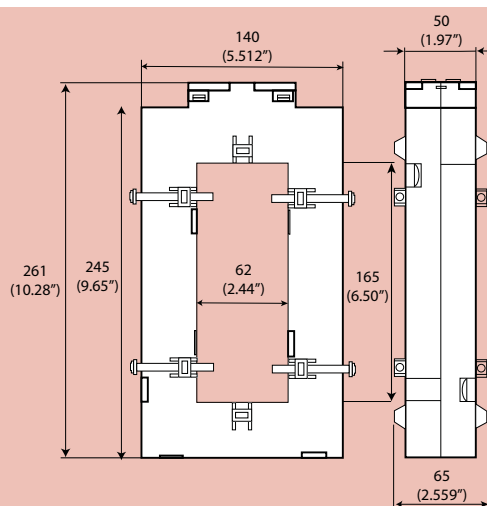
Compact moulded case current transformers from 1000 – 6000A and a 165mm x 62mm window (6.5" x 2.44").

APPLICATION

For transforming various primary currents into 1A or 5A secondary. Suitable for vertical busbars.



DIMENSIONS (mm)



TECHNICAL SPECIFICATION

- Conforms to IEC 61869/2
- Built in busbar mounting and sealable covers
- 165mm x 62mm window (6.5" x 2.44")
- Case Material: PETGF30%, UL94V0
- Max terminal Torque: 0.9Nm
- Max bus clamp Torque: 0.2Nm
- Rated system voltage 0.72/3KV
- Ambient temperature range -5to +50°C

RANGE (5A Secondary) - TYPE CTV165M

VA	Class1		Class 0.5		Class 0.5S		Class 0.2		Class 0.2S		
	15	25	15	25	15	25	15	25	15	25	
1000/5A	A1	A2	A3	-	-	-	-	-	-	-	-
1200/5A	B1	B2	B3	-	-	-	-	-	-	-	-
1500/5A	C1	C2	C3	-	C5	-	C7	-	-	-	-
1600/5A	D1	D2	D3	D4	D5	-	D7	-	-	-	-
2000/5A	E1	E2	E3	E4	E5	-	E7	-	-	-	-
2500/5A	F1	F2	F3	F4	F5	-	F7	-	F9	-	-
3000/5A	G1	G2	G3	G4	G5	-	G7	-	G9	-	-
3500/5A	H1	H2	H3	H4	H5	H6	H7	H8	H9	-	-
4000/5A	J1	J2	J3	J4	J5	J6	J7	J8	J9	-	-
5000/5A	K1	K2	K3	K4	K5	K6	K7	K8	K9	-	-
6000/5A	L1	L2	L3	L4	L5	L6	L7	L8	L9	-	-
6300/5A	M1	M2	M3	M4	M5	M6	M7	M8	M9	-	-

1A secondary available by request. Other accuracies + VA can be manufactured by request.

Order example: A current transformer type CTV165M with 5A secondary and 3000A primary, 15VA, class 1= part number CTV165M-5-G1

Our policy is one of continuous development and therefore specifications may change without notice.