

# CTV130 Moulded Case Current Transformers (ANSI/IEEE spec)

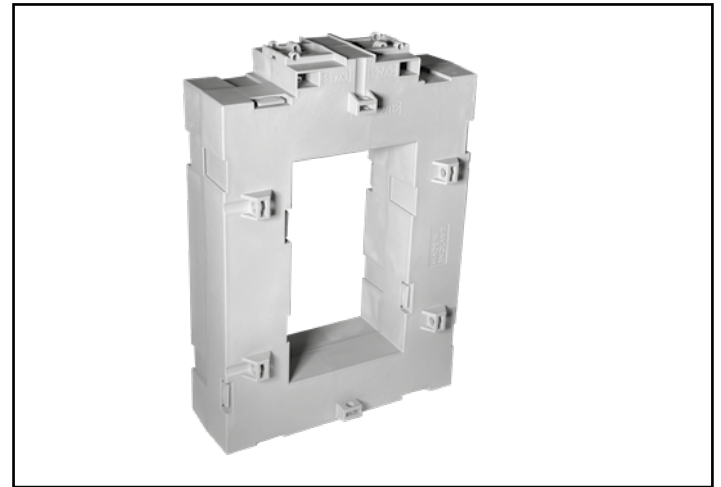
# HOBUT

## DESCRIPTION

Compact moulded case current transformers from 1000 – 5000A with UL recognition and a 132mm x75mm window (5.2" x 2.95").

## APPLICATION

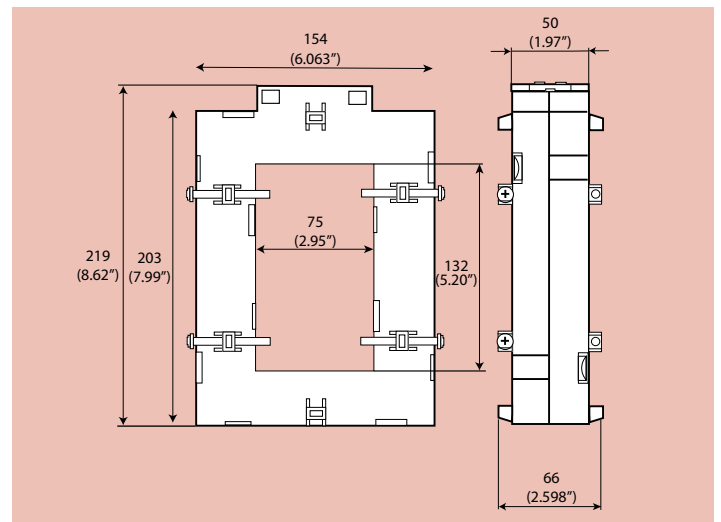
For transforming various primary currents into 1A or 5A secondary.



## TECHNICAL SPECIFICATION

- 600V, 10KV BIL to IEEE C57.13
- Built in sealable terminal covers
- Built in busbar mounting
- 132mm x 75mm window (5.2" x 2.95")
- Case material: PET GF30%, UL94V0
- Terminal Torque: 0.9Nm max
- Bus clamp Torque: 0.2Nm max

## DIMENSIONS (mm)



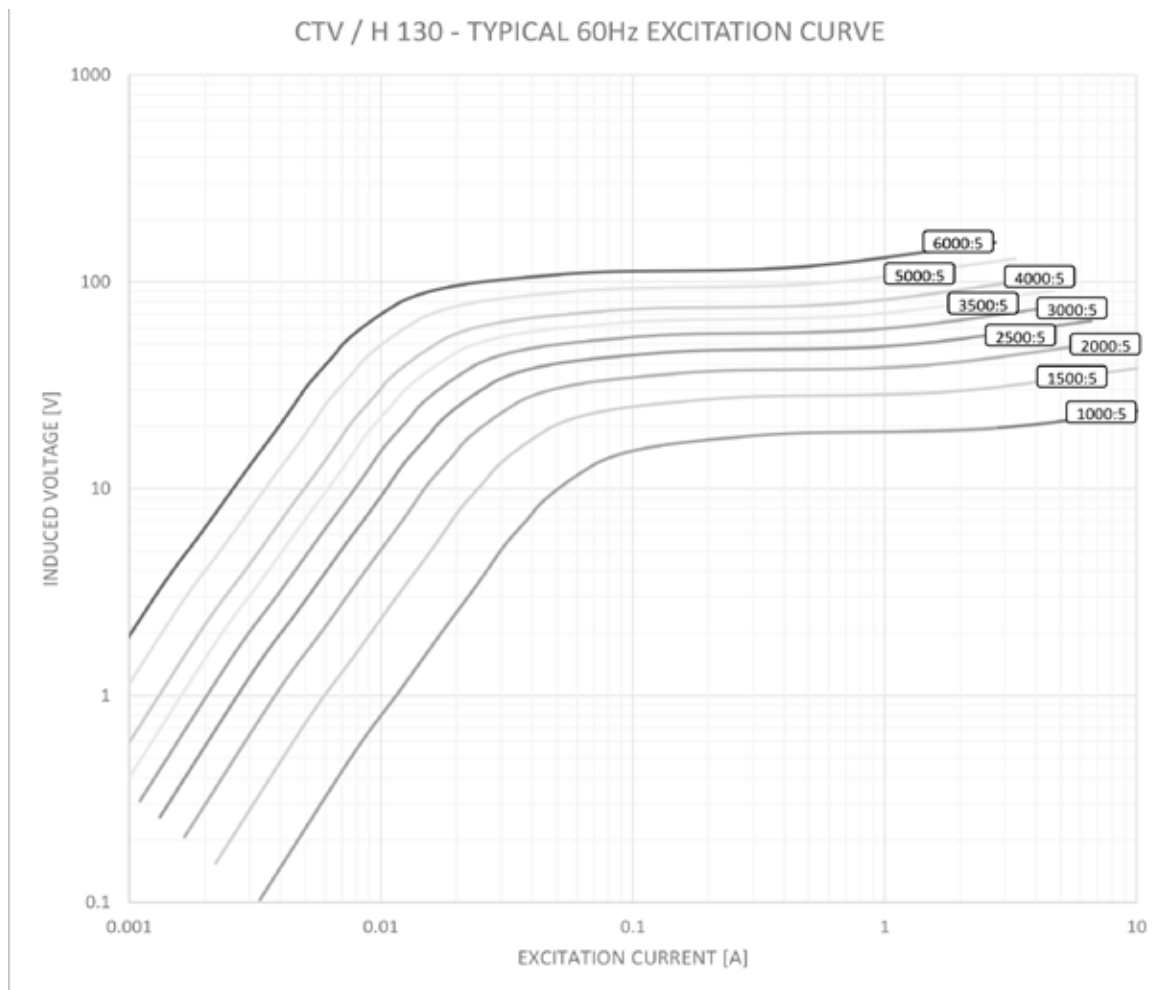
## RANGE

	60Hz	Burden	B0.1	B0.2	B0.5	B0.9	B1.8	RF @30°
			2.5VA	5VA	12.5VA	22.5VA	45VA	
Part Number	Primary	Sec						
CTV130M1000/5-ANSI-UL	1000	5	0.3	0.6	0.6	1.2	2.4	1.33
CTV130M1200/5-ANSI-UL	1200	5	0.3	0.6	0.6	1.2	1.2	1.33
CTV130M1500/5-ANSI-UL	1500	5	0.3	0.3	0.6	0.6	1.2	1.33
CTV130M1600/5-ANSI-UL	1600	5	0.3	0.3	0.6	0.6	0.6	1.33
CTV130M2000/5-ANSI-UL	2000	5	0.3	0.3	0.3	0.3	0.6	1.33
CTV130M2500/5-ANSI-UL	2500	5	0.3	0.3	0.3	0.3	0.3	1.33
CTV130M3000/5-ANSI-UL	3000	5	0.3	0.3	0.3	0.3	0.3	1.33
CTV130M3200/5-ANSI-UL	3200	5	0.3	0.3	0.6	0.3	0.3	1.33
CTV130M3500/5-ANSI-UL	3500	5	0.3	0.3	0.3	0.3	0.3	1.33
CTV130M4000/5-ANSI-UL	4000	5	0.3	0.3	0.3	0.3	0.3	1.33
CTV130M5000/5-ANSI-UL	5000	5	0.3	0.3	0.3	0.3	0.3	1

1A secondary available by request.

Our policy is one of continuous development and therefore specifications may change without notice.

# CTV130 Moulded Case Current Transformers (ANSI/IEEE spec)



Our policy is one of continuous development and therefore specifications may change without notice.

## HOWARD BUTLER LTD

CROWN WORKS, LINCOLN ROAD

WALSALL WS1 2EB ENGLAND

Tel: 01922 640003 Fax: 01922 723626

International Tel: +44 1922 640003 E-mail: [sales@hobut.co.uk](mailto:sales@hobut.co.uk)

<http://www.hobut.co.uk>