

CTIRM Moulded Case Current Transformers *(ANSI/IEEE spec)*

HOBUT

DESCRIPTION

Compact moulded case current transformers from 400-5000A with UL recognition and a 4.25" (108mm) inner window.

APPLICATION

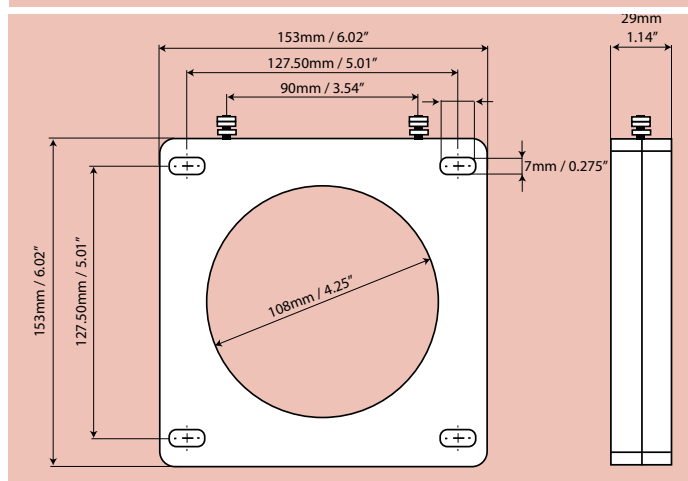
For transforming various primary currents into 1A or 5A secondary.



TECHNICAL SPECIFICATION

- 600V, 10KV BIL to IEEE C57.13
- 4.25" (108mm) inner window
- Polycarbonate case material
- Terminal Torque: 1.85NM max
- Terminals: Brass M4 stud, 2 nut and lock washer (per terminal).
- UL recognised in US and Canada

DIMENSIONS (mm)



RANGE

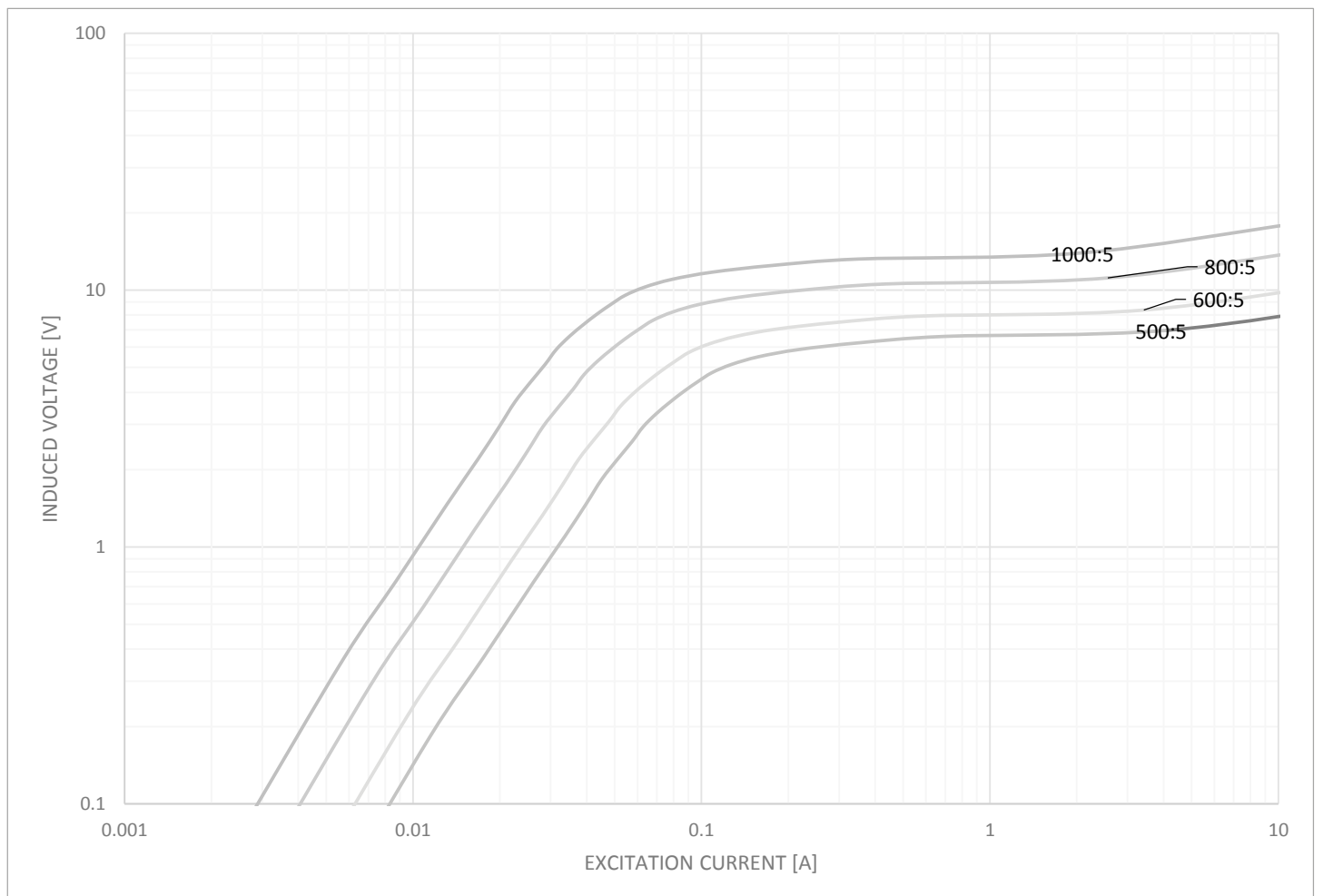
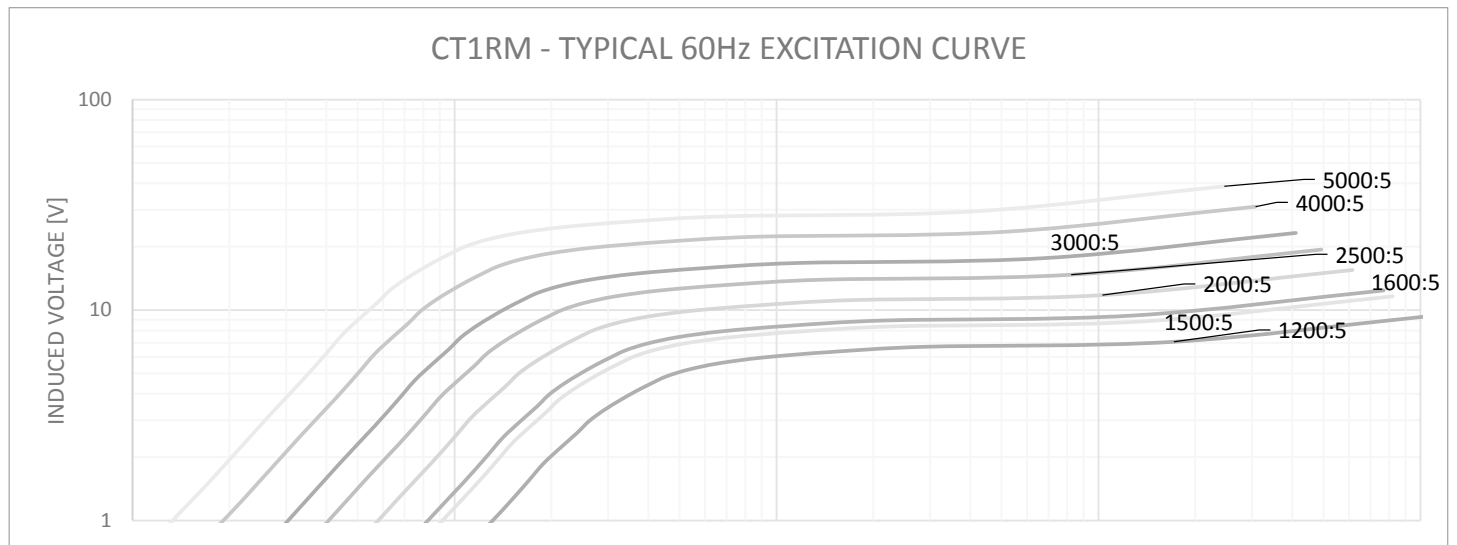
	60Hz	Burden	B0.1	B0.2	B0.5	B0.9	UL RF @30°	Factory RF @30°	Rct @ 75°
			2.5VA	5VA	12.5VA	22.5VA			
Part	Primary	Sec							
CT1RM400/5-ANSI/UL-ND	400	5	1.2	1.2	2.4		1	1.33	0.07
CT1RM500/5-ANSI/UL-ND	500	5	1.2	1.2	1.2		1	1.33	0.09
CT1RM600/5-ANSI/UL-ND	600	5	0.6	0.6	1.2		1	1.33	0.12
CT1RM800/5-ANSI/UL-ND	800	5	0.3	0.3	0.6	1.2	1	1.33	0.18
CT1RM1000/5-ANSI/UL-ND	1000	5	0.3	0.3	0.6	1.2	1	1.33	0.21
CT1RM1200/5-ANSI/UL-ND	1200	5	0.3	0.3	0.6	1.2	1	1.33	0.19
CT1RM1500/5-ANSI/UL-ND	1500	5	0.3	0.3	1.2	1.2	1	1.33	0.23
CT1RM1600/5-ANSI/UL-ND	1600	5	0.3	0.3	1.2	2.4	1	1.33	0.3
CT1RM2000/5-ANSI/UL-ND	2000	5	0.3	0.3	0.6	1.2	1	1.33	0.34
CT1RM2500/5-ANSI/UL-ND	2500	5	0.3	0.3	0.6	0.6	1	1.33	0.46
CT1RM3000/5-ANSI/UL-ND	3000	5	0.3	0.3	0.6	0.6	1	1	0.55
CT1RM4000/5-ANSI/UL-ND	4000	5	0.3	0.3	0.3	0.3	1	1	0.9
CT1RM5000/5-ANSI/UL-ND	5000	5	0.3	0.3	0.3	0.3	1	1	1.1

1A secondary available by request. Other accuracies and VAs available by request.

Our policy is one of continuous development and therefore specifications may change without notice.

CT1RM Moulded Case Current Transformers (ANSI/IEEE spec)

HOBUT



Our policy is one of continuous development and therefore specifications may change without notice.

HOWARD BUTLER LTD

CROWN WORKS, LINCOLN ROAD
WALSALL WS1 2EB ENGLAND

Tel: 01922 640003 Fax: 01922 723626

International Tel: +44 1922 640003 E-mail: sales@hobut.co.uk

<http://www.hobut.co.uk>