

# CTH127L Moulded Case Current Transformers (ANSI/IEEE spec)

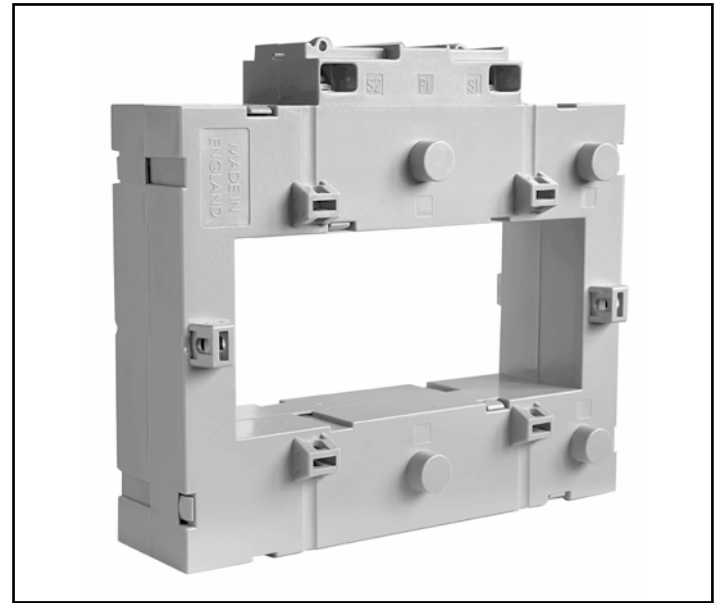
# HOBUT

## DESCRIPTION

Compact moulded case current transformers from 400 – 3500A with UL recognition and a 127x54mm window (5" x 2.13").

## APPLICATION

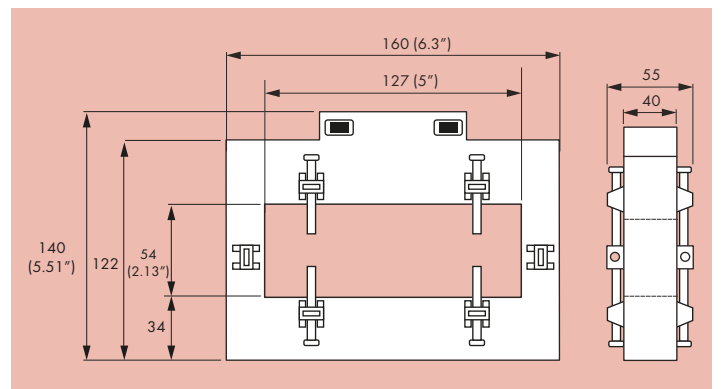
For transforming various primary currents into 1A or 5A secondary.



## TECHNICAL SPECIFICATION

- 600V, 10KV BIL to IEEE C57.13
- Built in sealable terminal covers
- Built in busbar mounting
- 127mm x 54mm window (5" x 2.13")
- Polycarbonate case material
- Terminal Torque: 0.9Nm
- Bus clamp Torque: 0.2Nm

## DIMENSIONS (mm)



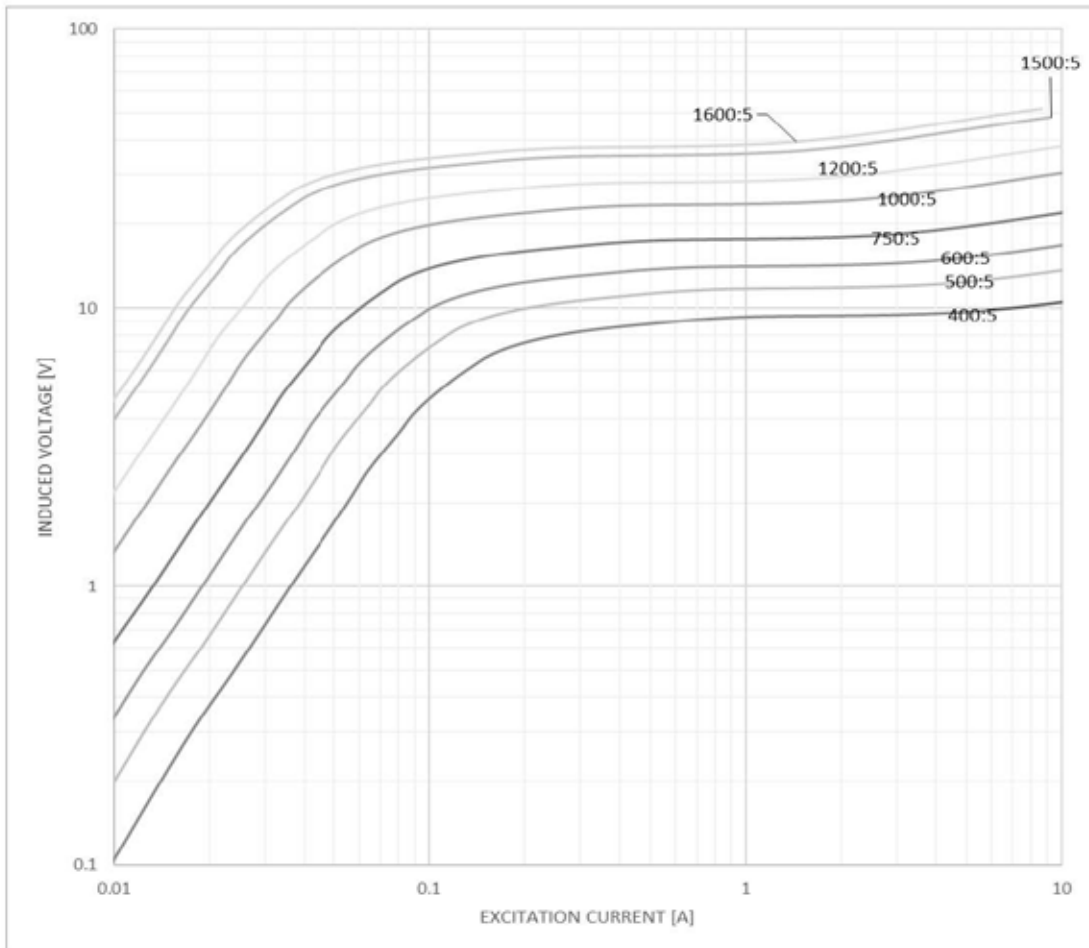
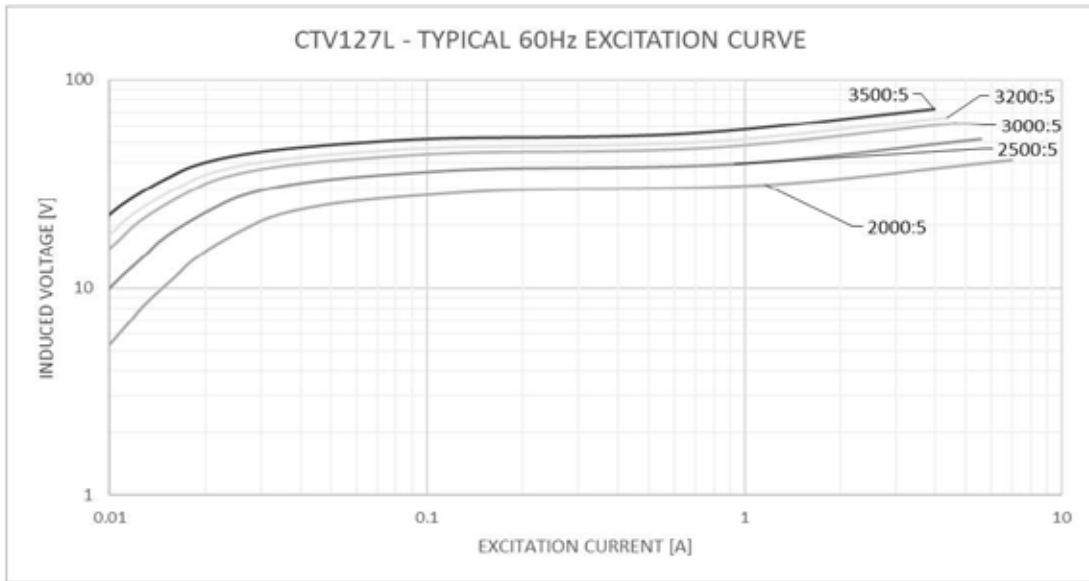
## RANGE

	60Hz	Burden	B0.1	B0.2	B0.5	B0.9	B1.8	RF @30°
			2.5VA	5VA	12.5VA	22.5VA	45VA	
Part Number	Primary	Sec						
CTH127L400/5-ANSI-UL	400	5	1.2	1.2	2.4			1
CTH127L500/5-ANSI-UL	500	5	1.2	1.2	2.4			1
CTH127L600/5-ANSI-UL	600	5	0.3	1.2	2.4	2.4		1
CTH127L750/5-ANSI-UL	750	5	0.3	0.6	1.2	2.4	2.4	1
CTH127L1000/5-ANSI-UL	1000	5	0.3	0.6	0.6	1.2	1.2	1
CTH127L1200/5-ANSI-UL	1200	5	0.3	0.3	0.6	0.6	1.2	1
CTH127L1500/5-ANSI-UL	1500	5	0.3	0.3	0.3	0.6	0.6	1
CTH127L1600/5-ANSI-UL	1600	5	0.3	0.3	0.3	0.6	0.6	1
CTH127L2000/5-ANSI-UL	2000	5	0.3	0.3	0.3	0.3	0.6	1
CTH127L2500/5-ANSI-UL	2500	5	0.3	0.3	0.3	0.3	0.6	1
CTH127L3000/5-ANSI-UL	3000	5	0.3	0.3	0.3	0.3	0.3	1
CTH127L3200/5-ANSI-UL	3200	5	0.3	0.3	0.3	0.3	0.3	1
CTH127L3500/5-ANSI-UL	3500	5	0.3	0.3	0.3	0.3	0.3	1

1A secondary available by request.

Our policy is one of continuous development and therefore specifications may change without notice.

# CTH127L Moulded Case Current Transformers (ANSI/IEEE spec)



Our policy is one of continuous development and therefore specifications may change without notice.

## HOWARD BUTLER LTD

CROWN WORKS, LINCOLN ROAD

WALSALL WS1 2EB ENGLAND

Tel: 01922 640003 Fax: 01922 723626

International Tel: +44 1922 640003 E-mail: [sales@hobut.co.uk](mailto:sales@hobut.co.uk)

<http://www.hobut.co.uk>