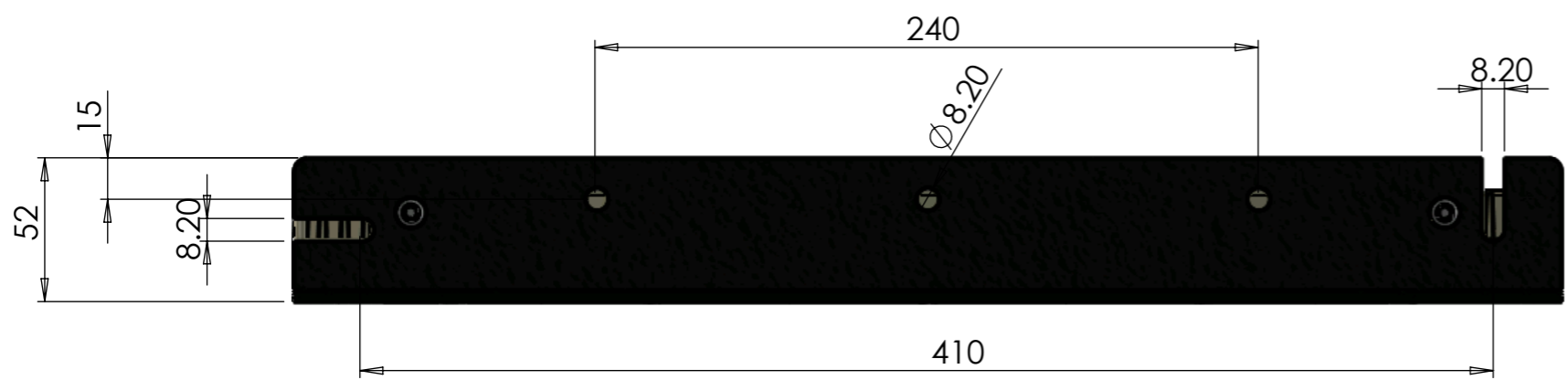
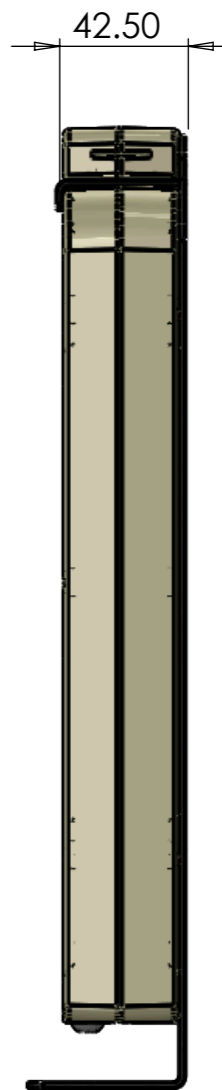
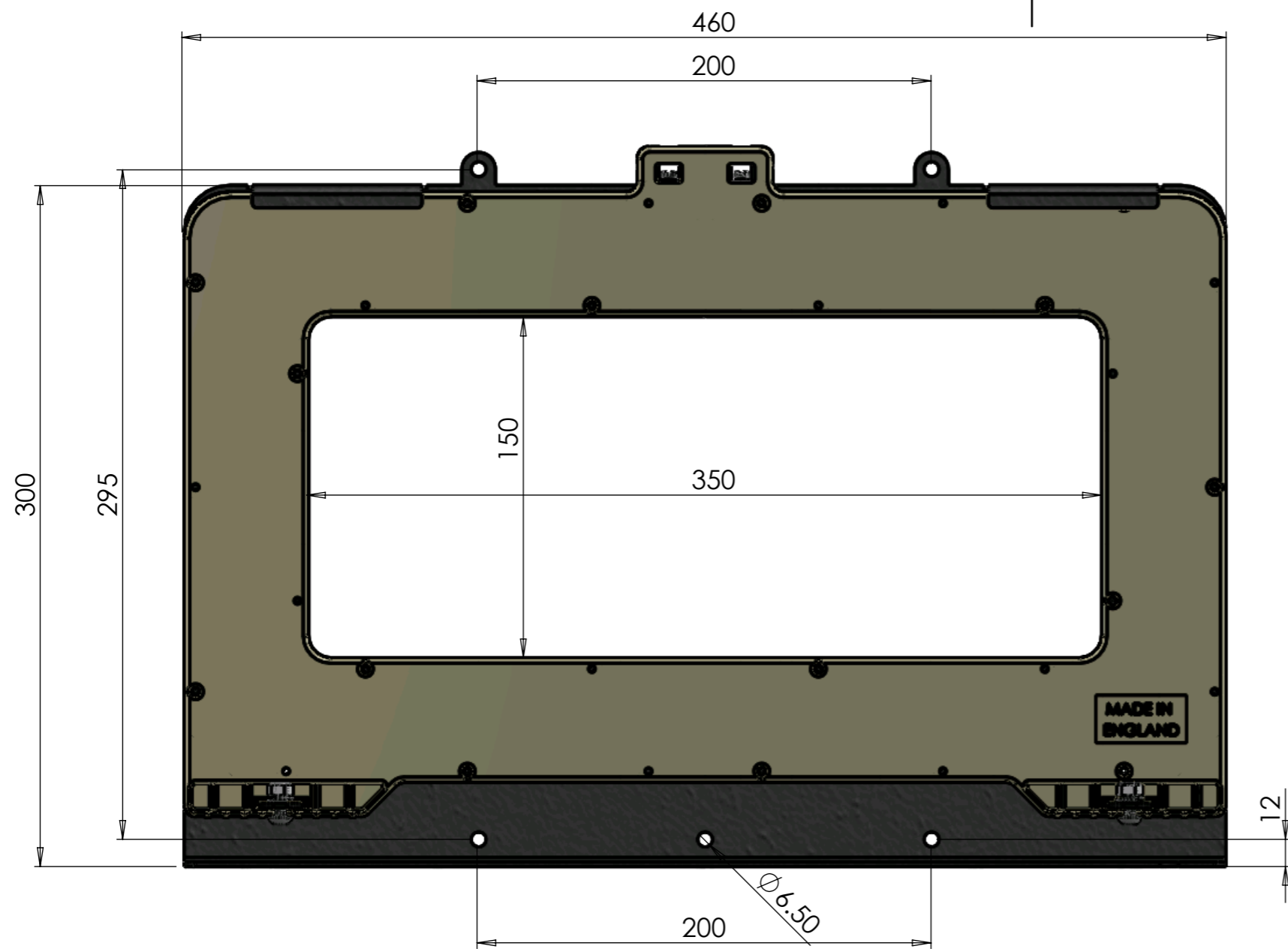


A3	MM	SCALE:	NTS	SHEET: 1 OF 2
DWG. NO.		CTBR350-001		
TITLE		CBCT REC'T 350mm		
REVISIONS		TOLERANCES	DRAWN	NAM
A		TAPED AND RESIN COAT CT ±3MM ON OVERALL DIMENSION ENCAPSULATED CT ±2MM ON OUTSIDE DIMENSIONS CIRCLED DIMENSIONS MUST BE HELD	DATE	30/04/20
B			HOWARD BUTLER LTD	
C			CROWN WORKS	
D			LINCOLN ROAD	
E			WALSALL	
F		WS1 2EB		
G		TEL:+44 (0)1922 640 003		
		WWW.HOBUT.CO.UK		
THIRD ANGLE PROJECTION		DO NOT SCALE IF IN DOUBT ASK!		



A3	MM	SCALE:	NTS	SHEET: 2 OF 2
DWG. NO.		CTBR350-002		
TITLE		CBCT REC'T 350mm WITH BRACKET		
REVISIONS		TOLERANCES	DRAWN	NAM
A		TAPED AND RESIN COAT CT ±3MM ON OVERALL DIMENSION ENCAPSULATED CT ±2MM ON OUTSIDE DIMENSIONS CIRCLED DIMENSIONS MUST BE HELD	DATE	30/04/20
B			HOWARD BUTLER LTD	
C			CROWN WORKS	
D			LINCOLN ROAD	
E			WALSALL	
F		WS1 2EB		
G		TEL:+44 (0)1922 640 003		
		WWW.HOBUT.CO.UK		
THIRD ANGLE PROJECTION		DO NOT SCALE IF IN DOUBT ASK!		