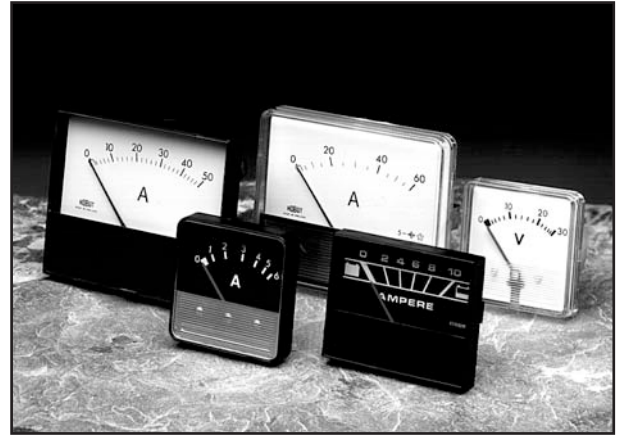


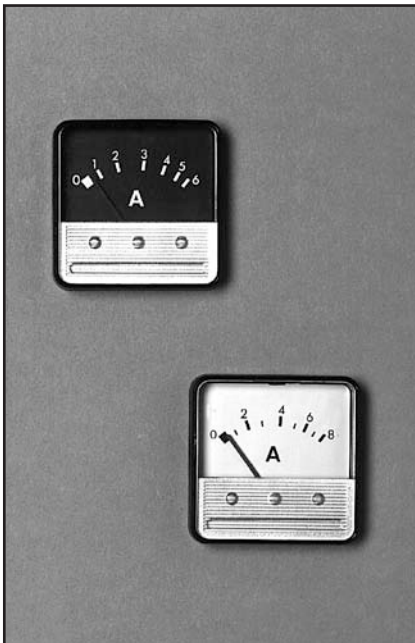
BATTERY CHARGER METERS

DESCRIPTION A range of ammeters and voltmeters with tough moving magnet or polarised moving iron movements designed for low cost indication of d.c. or rectified a.c.

APPLICATION Domestic and automotive battery chargers and d.c. power supplies.



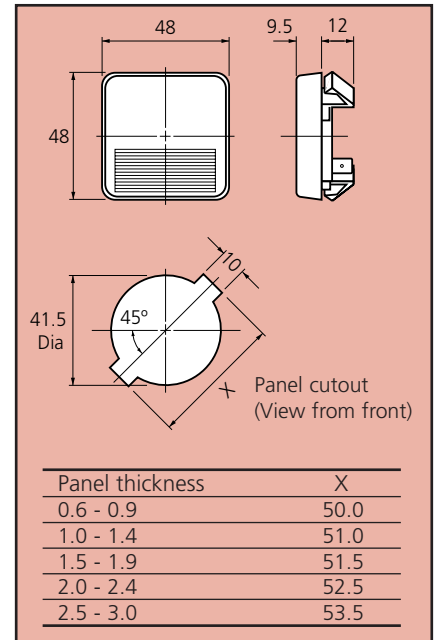
F3PBM



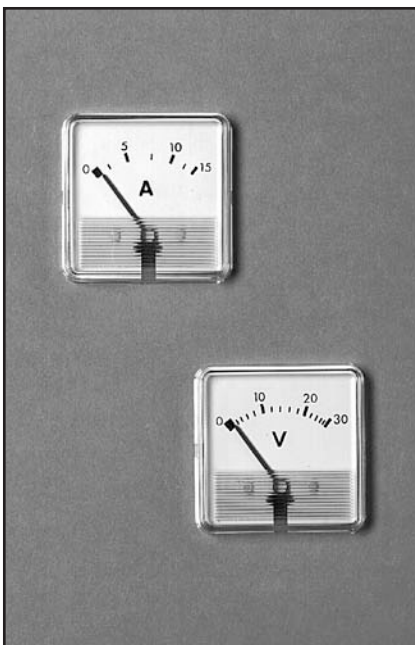
Standard Range: 0/4A, 0/5A, 0/6A, 0/8A, 0/10A, 0/12A, 0/15A, 0/20A

Calibration accuracy:	±8% of f.s.d.
Movement:	Moving magnet
Temperature range:	-20°C to +40°C
Terminations:	6.3mm spades
Fixing:	Snap into panel
Options:	Black or white dial Black or white case

Dimensions (mm)



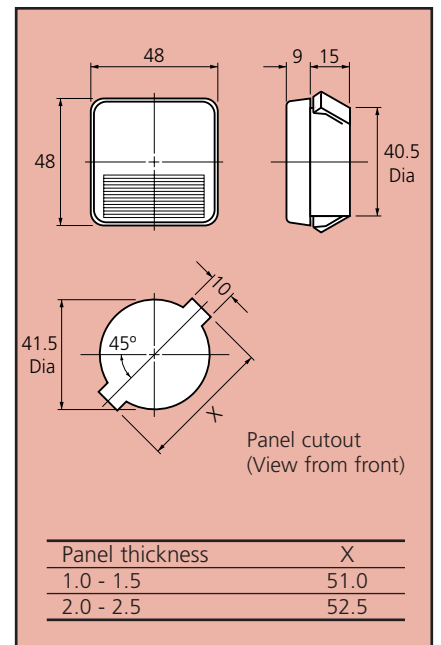
F3PAM



Standard Range: 0/2A, 0/4A, 0/5A, 0/6A, 0/8A, 0/10A, 0/12A, 0/15A, 0/20A, 0/25A, 0/30A, 0/15V, 0/30V

Calibration accuracy:	±8% of f.s.d.
Movement:	Polarised moving iron
Temperature range:	-20°C to +40°C
Terminations:	Flying leads as standard. Other terminations available on request
Fixing:	Snap into panel (or U clip type F3PM)
Options:	Black or white dial

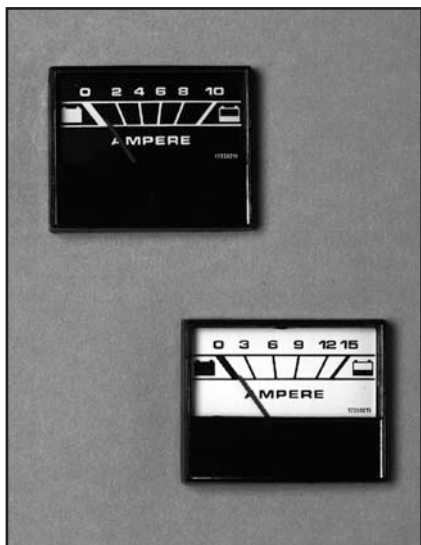
Dimensions (mm)



BATTERY CHARGER METERS

HOBUT

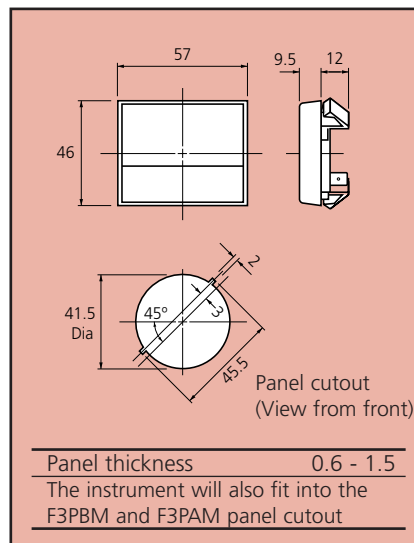
R46M



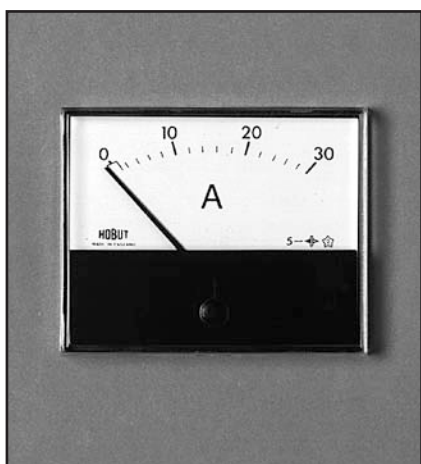
Standard Range: 0/4A, 0/6A, 0/8A, 0/10A, 0/15A, 0/20A

Calibration accuracy:	±8% of f.s.d.
Movement:	Moving magnet
Temperature range:	-20°C to +40°C
Terminations:	6.3mm spades
Fixing:	Snap into panel
Options:	Black or white dial

Dimensions (mm)



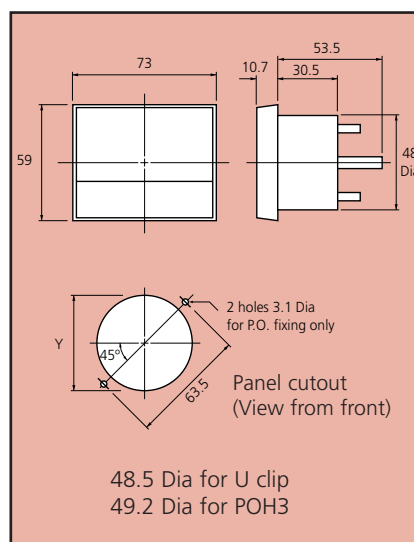
R59M



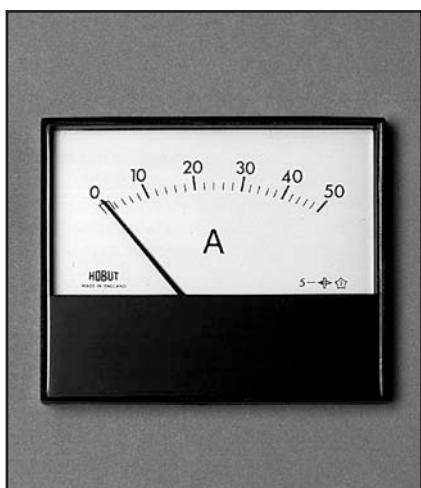
Standard Range: 0/20A, 0/25A, 0/30A, 0/40A, 0/50A

Calibration accuracy:	±5% of f.s.d.
Movement:	Moving magnet
Temperature range:	-20°C to +40°C
Terminations:	M6 studs
Fixing:	U clip or POH3
Options:	Black or white dial

Dimensions (mm)



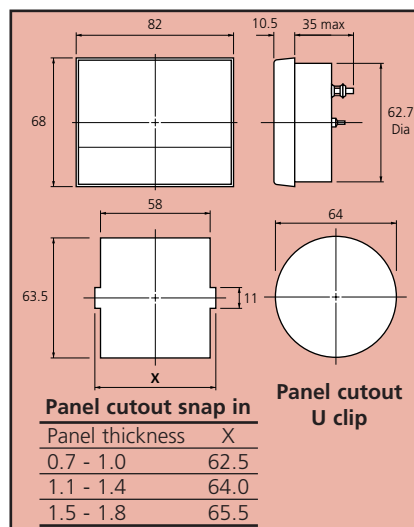
R68M



Standard Range: 0/15A, 0/20A, 0/25A, 0/30A, 0/40A, 0/50A, 0/60A, 0/80A, 0/100A
Voltmeters available by request

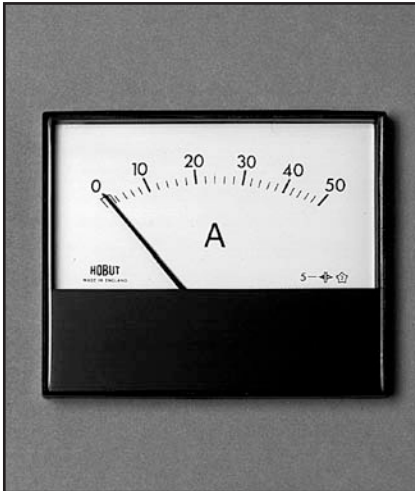
Calibration accuracy:	±5% of f.s.d.
Movement:	Moving magnet
Temperature range:	-20°C to +40°C
Terminations:	1/4 BSF
Fixing:	Snap into panel or U clip
Options:	Black or white case Black or white dial / mask

Dimensions (mm)



BATTERY CHARGER METERS

R68M/IND



Standard Range: 0/30A, 0/40A, 0/50A,
0/60A, 0/80A, 0/100A,
0/120A

Calibration accuracy: $\pm 10\%$ of f.s.d.

Movement: Moving magnet

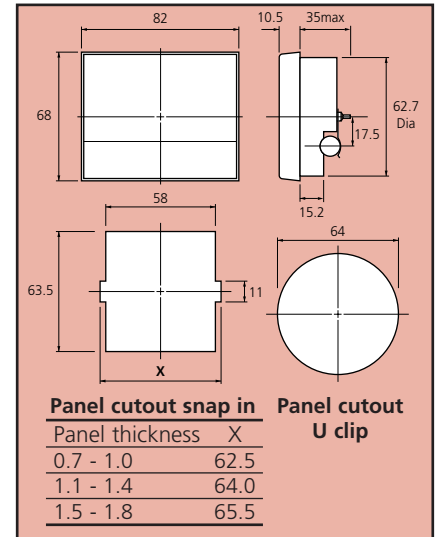
Temperature range: -20°C to $+40^{\circ}\text{C}$

Terminations: None required - cable fits under case, movement operates by induction.

Fixing: Snap in to panel or U clip

Options: Black or white case
Black or white dial / mask

Dimensions (mm)



This product is most suitable for high currents as no current connections are required

SPECIAL DIALS



The products detailed in this publication are our standard range, but for large quantity orders, HOBUT engineers will be pleased to work with customers to design individual dials to their specifications.

Our policy is one of continuous development and therefore specifications may change without notice.

HOWARD BUTLER LTD

CROWN WORKS, LINCOLN ROAD
WALSALL WS1 2EB ENGLAND

Tel: 01922 640003 Fax: 01922 723626

International Tel: +44 1922 640003 E-mail: sales@hobut.co.uk

Web: www.hobut.co.uk