

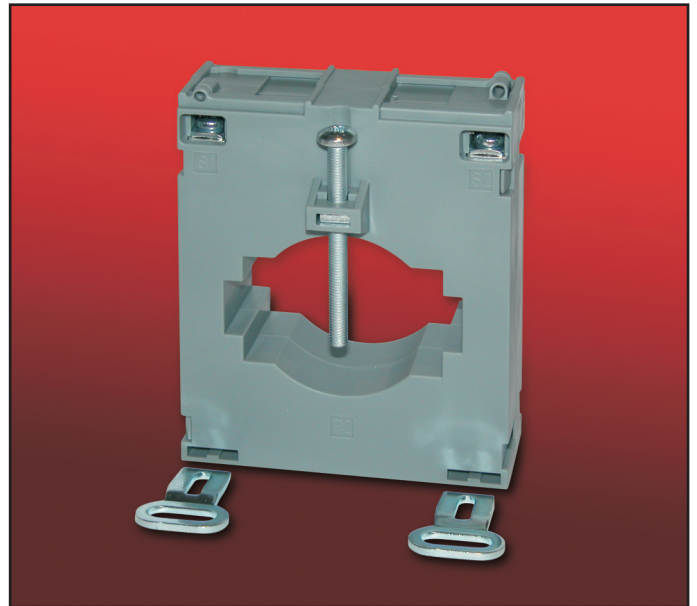
# 18 SERIES MOULDED CASE CURRENT TRANSFORMERS

## DESCRIPTION

A range of compact low cost moulded case current transformers suitable for primary currents from 400A to 1600A with built in sealable terminal covers.

## APPLICATION

For transforming various primary currents into 5A or 1A standard secondary using up to 60x15mm or 50x30mm busbars or cables up to 45mm diameter.



## FEATURES

- Built in sealable terminal covers.
- Mounting feet supplied.
- Narrow width - 85mm.
- Wide range of primary current

## TECHNICAL SPECIFICATION

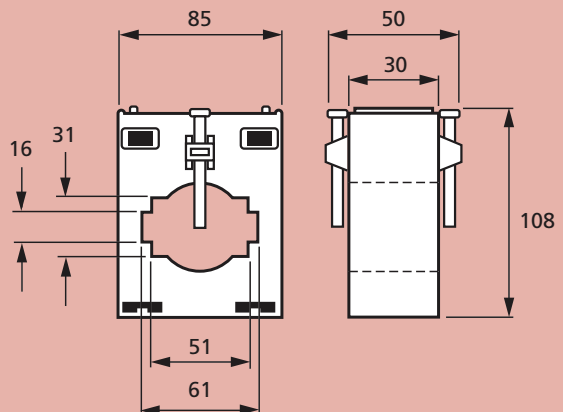
- Conforms to IEC185, BS 7626, BSEN 60044-1, IEC 60044-1 and IEC 61869-2.
- Rated system voltage 0.72/3kV.
- Ambient temperature range -5°C to +50°C.
- Continuous current 1.2 x rated current.

RANGE	5A Secondary											
	Class 3				Class 1				Class 0.5			
VA	2.5	5	10	15	2.5	5	10	15	2.5	5	10	15
400A	A1	A2	A3	-	A5	A6	A7	-	A9	A10	-	-
500A	B1	B2	B3	-	B5	B6	B7	-	B9	B10	-	-
600A	C1	C2	C3	-	C5	C6	C7	-	C9	C10	C11	-
750A	D1	D2	D3	-	D5	D6	D7	-	D9	D10	D11	-
800A	E1	E2	E3	-	E5	E6	E7	-	E9	E10	E11	-
1000A	F1	F2	F3	F4	F5	F6	F7	F8	F9	F10	F11	-
1200A	G1	G2	G3	G4	G5	G6	G7	G8	G9	G10	G11	G12
1250A	H1	H2	H3	H4	H5	H6	H7	H8	H9	H10	H11	H12
1500A	J1	J2	J3	J4	J5	J6	J7	J8	J9	J10	J11	J12
1600A	K1	K2	K3	K4	K5	K6	K7	K8	K9	K10	K11	K12

1A secondary available by request.  
Class 0.2S also available by request.

**Order Example:** A 18 series moulded case current transformer, with 5A secondary and 1000A primary 5VA class 1 is part number 18-5-F6

## DIMENSIONS (mm)



Ø Internal Diameter 45mm  
Busbar 60x15, 50x30mm

Our policy is one of continuous development and therefore specifications may change without notice.

## HOWARD BUTLER LTD

CROWN WORKS, LINCOLN ROAD  
WALSALL WS1 2EB ENGLAND

Tel: 01922 640003 Fax: 01922 723626  
International Tel: +44 1922 640003 E-mail: sales@hobut.co.uk  
<http://www.hobut.co.uk>