

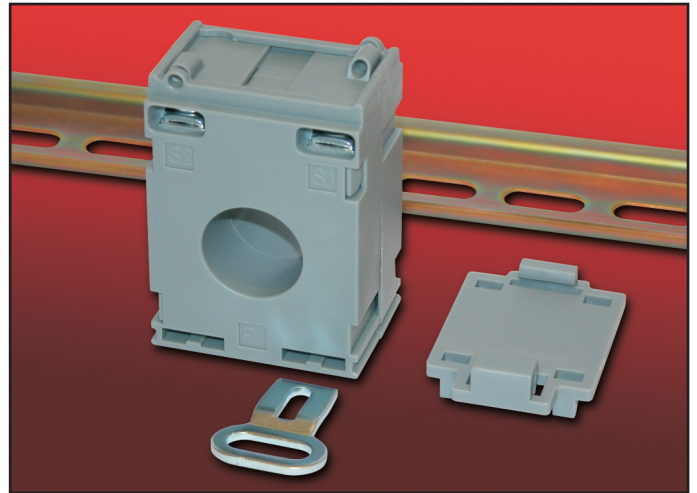
13 SERIES MOULDED CASE CURRENT TRANSFORMERS

DESCRIPTION

A range of compact low cost moulded case current transformers suitable for primary currents from 40A to 300A with built in sealable terminal covers.

APPLICATION

For transforming various primary currents into 5A or 1A standard secondary using cables up to 21mm diameter.



FEATURES

- DIN rail mounting clip supplied.
- Built in sealable terminal covers.
- Mounting feet supplied.
- Narrow width - 45mm.

TECHNICAL SPECIFICATION

- Conforms to IEC185, BS 7626, BSEN 60044-1, IEC 60044-1 and IEC 61869-2.
- Rated system voltage 0.72/3kV.
- Ambient temperature range -5°C to +50°C.
- Continuous current 1.2 x rated current.



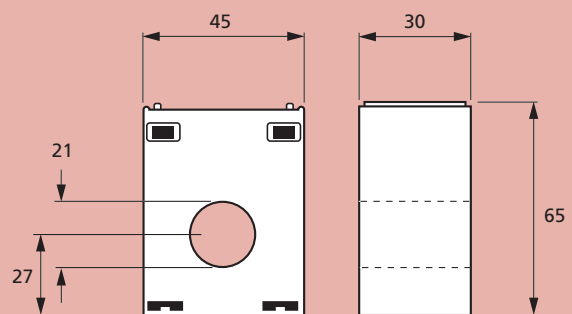
Built in sealable terminal covers

| RANGE | 5A Secondary | | | | | | | | | | | |
|-------|--------------|-----|-----|----|---------|-----|-----|----|-----------|-----|-----|-----|
| | Class 3 | | | | Class 1 | | | | Class 0.5 | | | |
| VA | 1 | 1.5 | 2.5 | 5 | 1 | 1.5 | 2.5 | 5 | 1 | 1.5 | 2.5 | 5 |
| 40A | A1 | - | - | - | - | - | - | - | - | - | - | - |
| 50A | B1 | B2 | - | - | B5 | - | - | - | - | - | - | - |
| 60A | C1 | C2 | - | - | C5 | C6 | - | - | - | - | - | - |
| 75A | D1 | D2 | D3 | - | D5 | D6 | - | - | - | - | - | - |
| 100A | F1 | F2 | F3 | - | F5 | F6 | F7 | - | F9 | F10 | - | - |
| 120A | G1 | G2 | G3 | - | G5 | G6 | G7 | - | G9 | G10 | G11 | - |
| 150A | H1 | H2 | H3 | H4 | H5 | H6 | H7 | - | H9 | H10 | H11 | - |
| 200A | J1 | J2 | J3 | J4 | J5 | J6 | J7 | J8 | J9 | J10 | J11 | - |
| 250A | K1 | K2 | K3 | K4 | K5 | K6 | K7 | K8 | K9 | K10 | K11 | K12 |
| 300A | L1 | L2 | L3 | L4 | L5 | L6 | L7 | L8 | L9 | L10 | L11 | L12 |

1A secondary available by request.

Order Example: A moulded case current transformer type 13, with 5A secondary and 200A primary 2.5VA class 1 is part number 13-5-J7

DIMENSIONS (mm)



Our policy is one of continuous development and therefore specifications may change without notice.

HOWARD BUTLER LTD

CROWN WORKS, LINCOLN ROAD
WALSALL WS1 2EB ENGLAND

Tel: 01922 640003 Fax: 01922 723626
International Tel: +44 1922 640003 E-mail: sales@hobut.co.uk
<http://www.hobut.co.uk>