

# ENCAPSULATED MULTI-RATIO SPLIT CORE CURRENT TRANSFORMERS

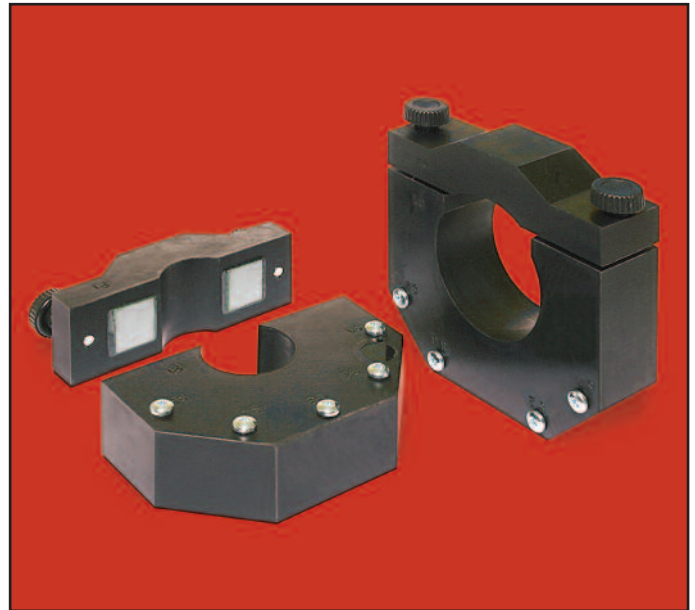
# HOBUT

## DESCRIPTION

Two split-core current transformers with four or five built-in current ratios in one product. Suitable for use up to 1000A using cable primaries.

## APPLICATION

The split-core design allows installation into existing networks without disconnecting cables or busbar circuits. The multi-ratio feature is ideally suited to stockists, distributors and contractors who need instant access to popular CT ratios up to 1000A in two stock items.



## RANGE

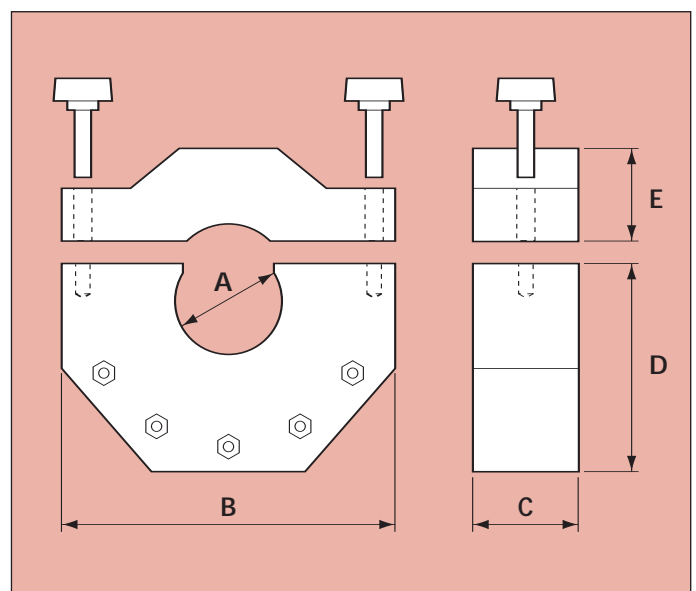
Product	Class Accuracy	Measuring Range	VA
Size1	1	100A-200A-300A-400A/5A	100A 1.5VA, 200A 3VA, 300-400A 5VA
Size2	1	200A-400A-600A-800A-1000A/5A	200A 2.5VA, 400-1000A 5VA

Single ratio models are also available by request

## TECHNICAL SPECIFICATION & DIMENSIONS (mm)

- Conforms to IEC 185/BS7626 and BSEN 60044-1/IEC 60044-1.
- Rated system voltage 0.72/3kV.
- Ambient temperature range -30°C to 80°C.
- Frequency range 50-60Hz.
- Insulation level 3kV for 1 minute.
- Continuous current, 1.2 x rated current.

Product	Dimension (mm)				
	A	B	C	D	E
Size1	40	127	40	78	35
Size2	65	132	38	95	30



Our policy is one of continuous development and therefore specifications may change without notice.

## HOWARD BUTLER LTD

CROWN WORKS, LINCOLN ROAD  
WALSALL WS1 2EB ENGLAND

Tel: 01922 640003 Fax: 01922 723626

International Tel: +44 1922 640003 E-mail: sales@hobut.co.uk

<http://www.hobut.co.uk>