

# MICRO 19 SPLIT CORE CTs

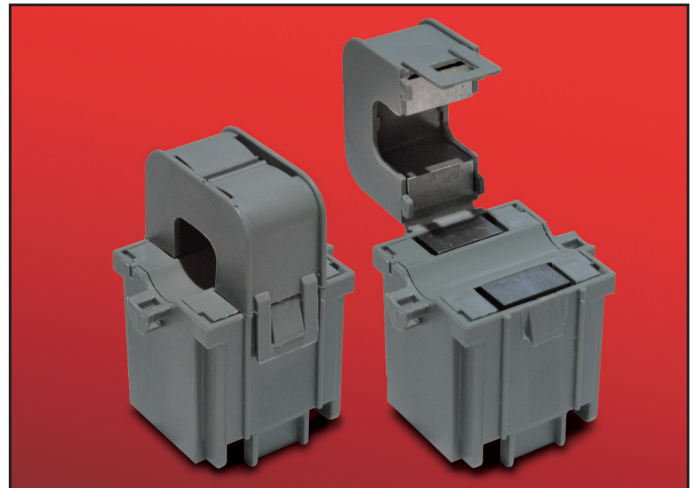
with optional plug-in short circuit link

## DESCRIPTION

The "Micro 19" range of split core CTs are amongst the smallest available and can be supplied with choice of screw clamp terminals, flying leads and unique plug-in short circuit link.

## APPLICATION

For installation into existing networks in complete safety. The CT will not operate until the plug-in link is removed.



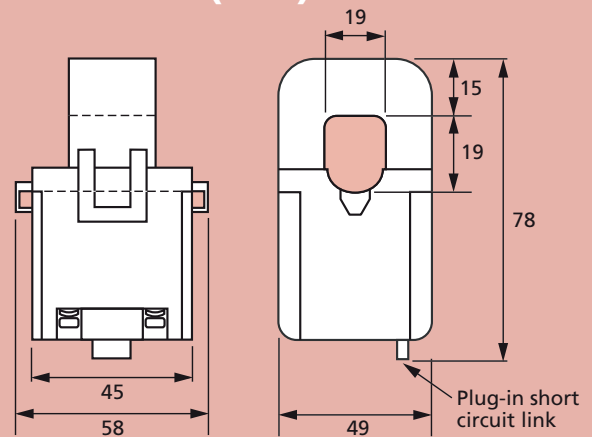
## SPECIFICATIONS

- Conforms to BS EN 60044-1/IEC 60044-1 and IEC 61869-2
- Rated system voltage 0.72/3kV
- Ambient temperature range -5°C to +50°C
- Class 1 (phase angle < 2 degrees for 100A at 50% rated current)
- 5A and 0.333V secondary output
- VA rating: 100/150A = 0.5VA,  
200A = 1VA, 250A = 2VA

## Options

- M3.5 screw clamp secondary terminals
- Plug-in short circuit link
- 1 metre flying leads

## DIMENSIONS (mm)



## RANGE

Product Code	Ratio	OPTIONS			
		M3.5 Terminals	M3.5 Terminals + Short Circuit Link	Flying Leads	Flying Leads + Short Circuit Link
CTSCMICRO19 (5A secondary output)	-100/5	-T	-T-S	-L	-L-S
	-125/5				
	-150/5				
	-200/5				
	-250/5				
CTSCMICRO19 (0.333V secondary output)	-100/0.333	-T	Not Available	-L	Not Available
	-125/0.333				
	-150/0.333				
	-200/0.333				
	-250/0.333				

M3.5 Terminals



Plug-in Short Circuit Link



Flying Leads (1m long)



Order Example: A Micro 19 split core CT with ratio of 200/5 with M3.5 terminals and short circuit link is CTSCMICRO19-200/5-T-S

Our policy is one of continuous development and therefore specifications may change without notice.

## HOWARD BUTLER LTD

CROWN WORKS, LINCOLN ROAD  
WALSALL WS1 2EB ENGLAND

Tel: 01922 640003 Fax: 01922 723626  
International Tel: +44 1922 640003 E-mail: sales@hobut.co.uk  
<http://www.hobut.co.uk>